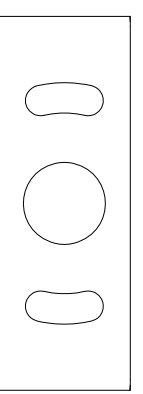
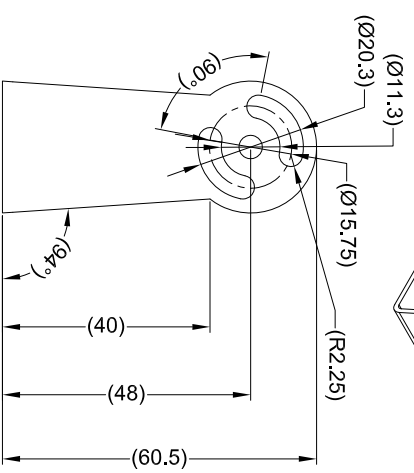
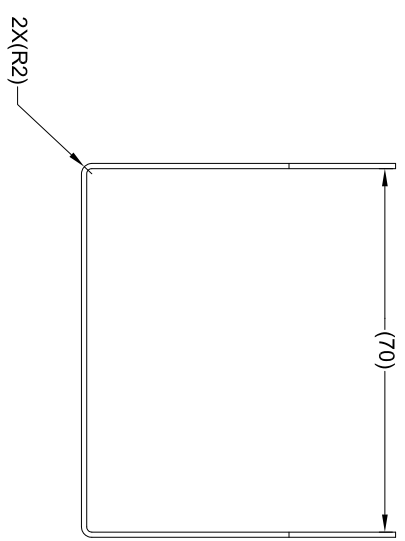
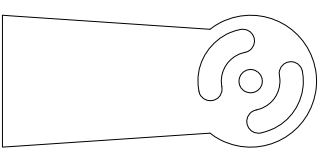
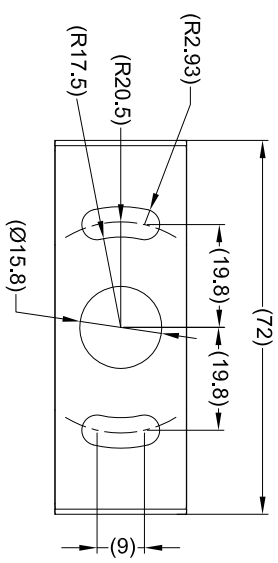
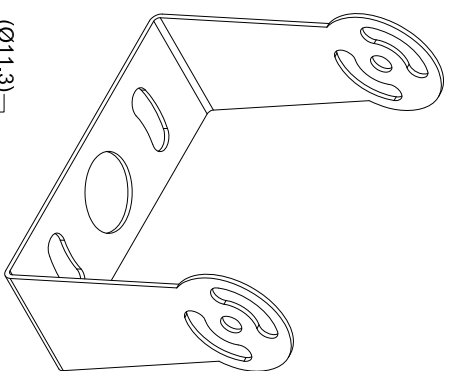


Revision Notes:		
1. FRAME AND DIMENSIONS UPDATED		
Checked By: LB	Approved By: DK	Date Released: 23/03/12



- NOTES:
1. FINISH: BLACK
 2. MATERIAL: STEEL 1.0T

PROPRIETARY NOTICE
 THIS DESIGN AND TECHNICAL INFORMATION APPEARING ON THIS DRAWING IS THE PROPERTY OF BRIGADE ELECTRONICS, AND IS DISCLOSED IN CONFIDENCE. IT IS NOT TO BE COPIED, REPRODUCED, REVEALED TO OR EXPLOITED BY OTHERS, EITHER IN WHOLE OR IN PART WITHOUT THE EXPRESS WRITTEN CONSENT OF BRIGADE ELECTRONICS.



 Angle of Projection Third Angle	Assembly PI Approval XINYU HUANG(12/11/12)		Approved by DKERAI		Checked by BCHILD S		Drawn by MBUTLER	
	Status RELEASED		Scale N/A		Released 17/05/10		Assembly Ref 32030006500	
Stock Code 3189A		VBV-7/1XXC-BKT BE-001059-01-10						